

REF. 790

3 PIECES STAINLESS STEEL BALL VALVE FEMALE BSP INITIAL RANGE

3 pieces stainless steel ball valve with full bore for Chemical industries, petrochemical industries, hydraulic installation, heating, water distribution and compressed air.
PTFE packing and gasket, PTFE filled with 15% glass seat.
Removable central part for an easy maintenance.



Size : DN1/4" to DN4"
Connection : Female BSP
Min Temperature : -20°C
Max Temperature : +180°C
Max Pressure : 63 bars (up to DN3/4")
Specifications : 3 pieces type
PTFE filled with 15% glass seat
Anti blow-out stem
Full bore

Materials : Stainless Steel ASTM A351 CF8M

REF. 790

3 PIECES STAINLESS STEEL BALL VALVE FEMALE BSP INITIAL RANGE

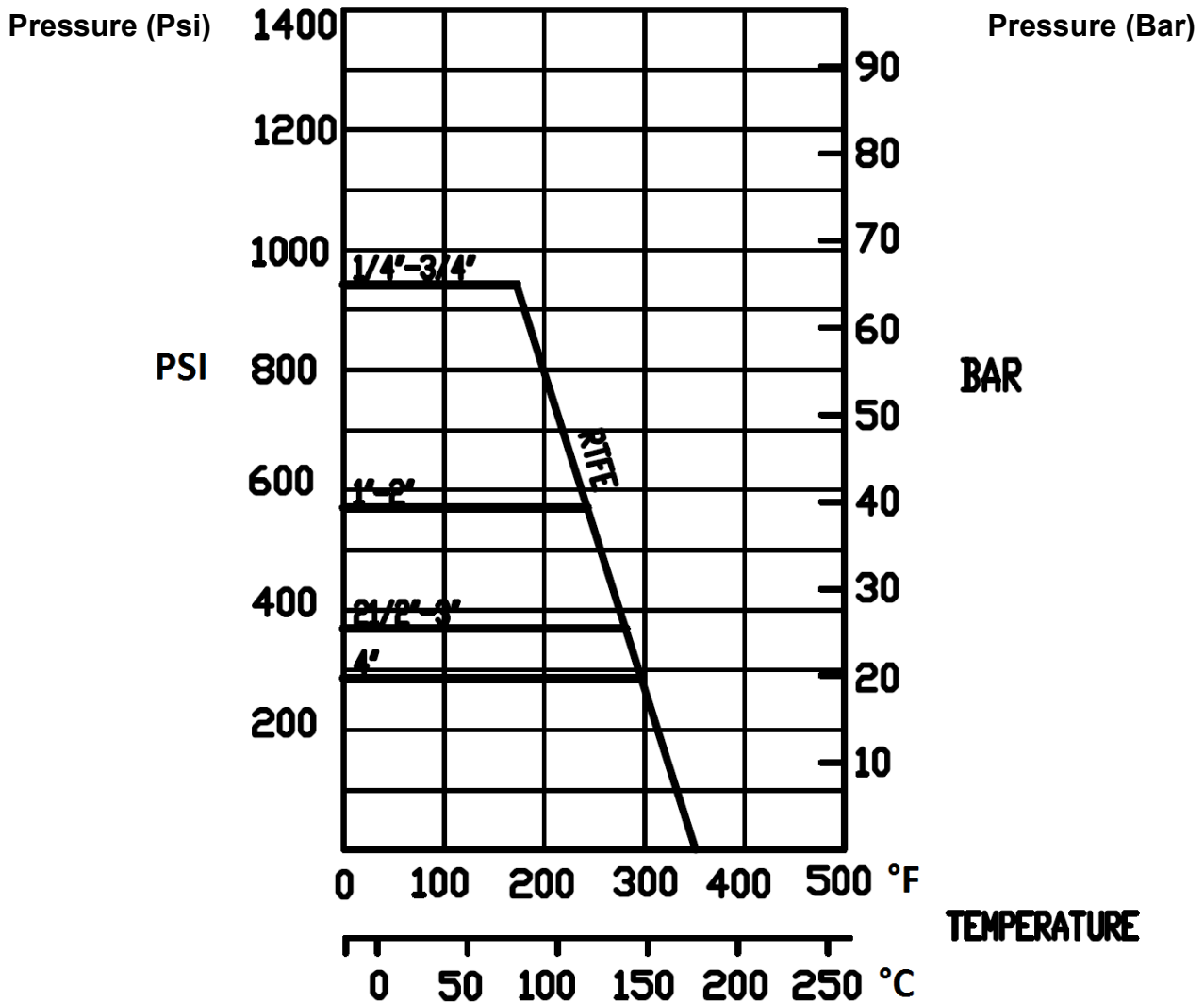
SPECIFICATIONS :

- Full bore
- Anti blow-out stem
- PTFE packing
- Locking device
- Stem extension in AISI 304 (option)

USE :

- Chemical and pharmaceutical industries, petrochemical industries, hydraulic installation, compressed air
- Min and max Temperature Ts : -20°C to + 180°C
- Max Pressure Ps : 63 bars up to DN20, 40 bars from DN25 to 50, 25 bars from DN65 to 80 and 20 bars for DN100 (see graph under)
- Compressed air : 10 bars max
- Do not use with steam

PRESSURE / TEMPERATURE GRAPH (STEAM AND COMPRESSED AIR EXCLUDED) :



REF. 790

3 PIECES STAINLESS STEEL BALL VALVE FEMALE BSP INITIAL RANGE

TORQUE VALUES (In Nm without safety coefficient) :

| DN | 1/4" | 3/8" | 1/2" | 3/4" | 1" | 1"1/4 | 1"1/2 | 2" | 2"1/2 | 3" | 4" |
|-------------|------|------|------|------|----|-------|-------|----|-------|----|----|
| Torque (Nm) | 2 | 2 | 2.5 | 3.5 | 6 | 7 | 12 | 16 | 40 | 50 | 70 |

BOLT TIGHTENING TABLE (in Nm) :

| DN | 1/4" | 3/8" | 1/2" | 3/4" | 1" | 1"1/4 | 1"1/2 | 2" | 2"1/2 | 3" | 4" |
|-------------|------|------|------|------|----|-------|-------|----|-------|----|----|
| Torque (Nm) | 4 | 4 | 8 | 8 | 10 | 13 | 20 | 20 | 35 | 45 | 65 |

FLOW COEFFICIENT Kvs (M3 / h) :

| DN | 1/4" | 3/8" | 1/2" | 3/4" | 1" | 1"1/4 | 1"1/2 | 2" | 2"1/2 | 3" | 4" |
|--------------|------|------|------|------|------|-------|-------|-------|-------|-------|-----|
| Kvs (m3/h) | 5.2 | 5.2 | 20.7 | 30.2 | 40.6 | 70 | 90.8 | 208.4 | 275.9 | 501.6 | 865 |

RANGE :



- Stainless steel 3 pieces ball valve Initial Range Female BSP **Ref. 790** from DN1/4" to DN4"



- AISI 304 stem extension **Ref.9810611-9810614** from DN8 to DN50



- Blue handle cover **Ref. 9830584-9830588** from DN 1/2" to DN 4"

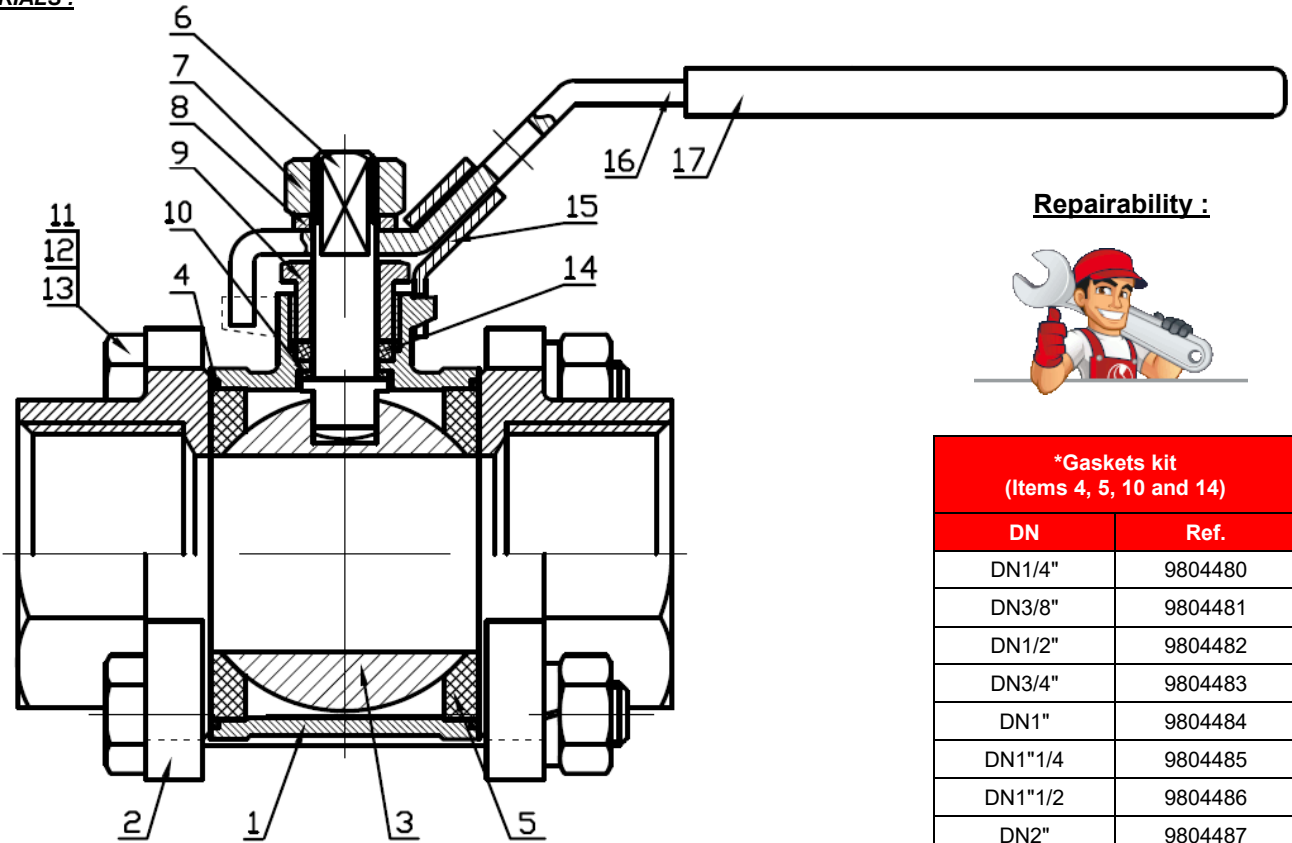
CONNECTION :

- Female / female threaded BSP

REF. 790

3 PIECES STAINLESS STEEL BALL VALVE FEMALE BSP INITIAL RANGE

MATERIALS :



Repairability :



| *Gaskets kit (Items 4, 5, 10 and 14) | |
|---|---------|
| DN | Ref. |
| DN1/4" | 9804480 |
| DN3/8" | 9804481 |
| DN1/2" | 9804482 |
| DN3/4" | 9804483 |
| DN1" | 9804484 |
| DN1"1/4 | 9804485 |
| DN1"1/2 | 9804486 |
| DN2" | 9804487 |
| DN2"1/2 | 9804488 |
| DN3" | 9804489 |
| DN4" | 9804490 |

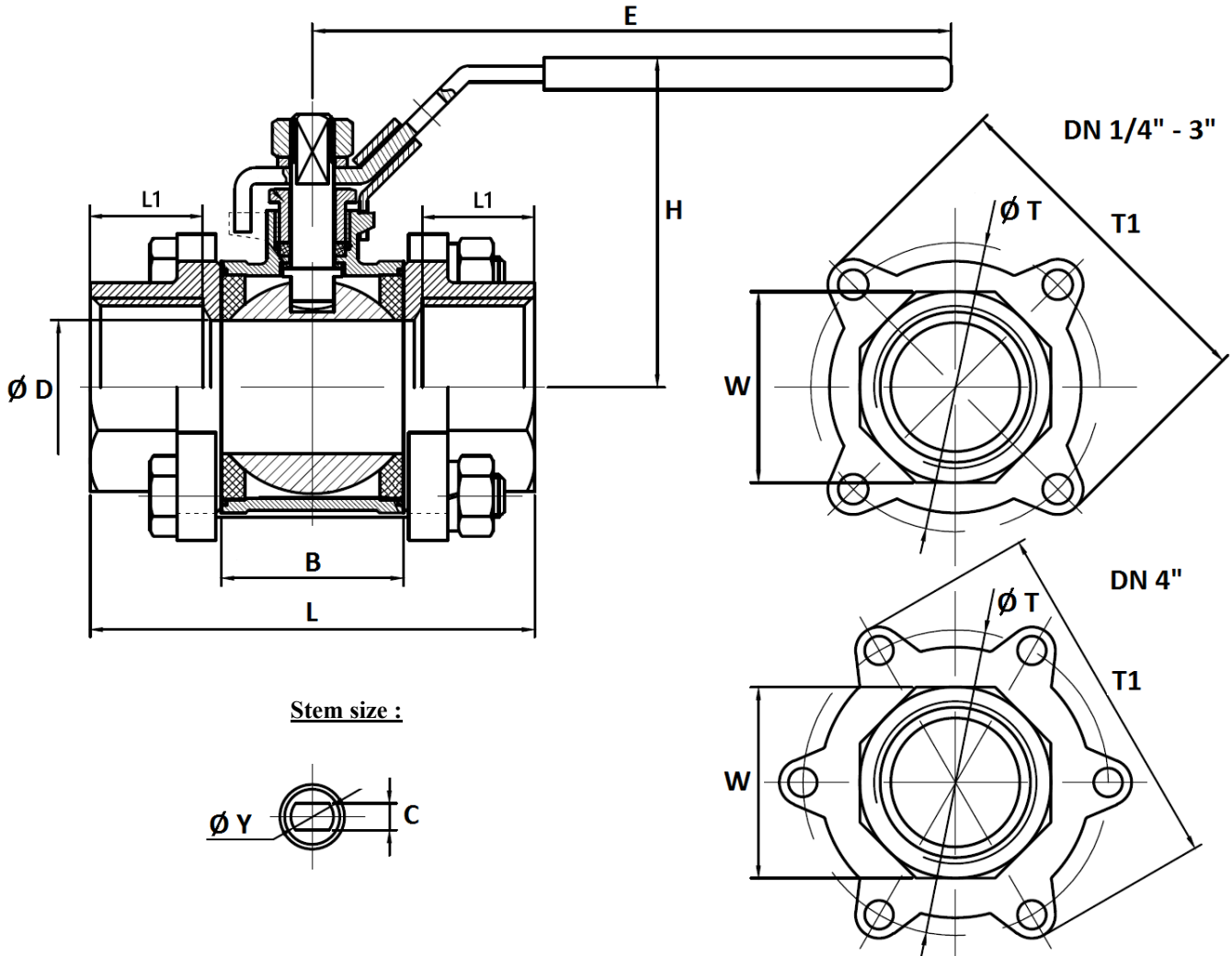
| Item | Designation | Materials |
|------|----------------|----------------------------------|
| 1 | Body | ASTM A351 CF8M |
| 2 | Ends | |
| 3 | Ball | AISI 316 |
| 4* | Body gasket | PTFE |
| 5* | Seat | PTFE filled with 15% glass fiber |
| 6 | Stem | AISI 316 |
| 7 | Packing nut | AISI 304 |
| 8 | Handle washer | |
| 9 | Packing gland | |
| 10* | Thrust washer | PTFE |
| 11 | Stud | AISI 304 |
| 12 | Stud washer | |
| 13 | Stud nut | |
| 14* | Packing | PTFE |
| 15 | Locking device | AISI 304 |
| 16 | Handle | |
| 17 | Handle cover | PVC |

(* : Included in gaskets kit)

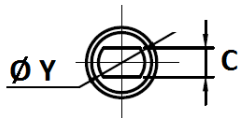
REF. 790

3 PIECES STAINLESS STEEL BALL VALVE FEMALE BSP INITIAL RANGE

SIZE:



Stem size :

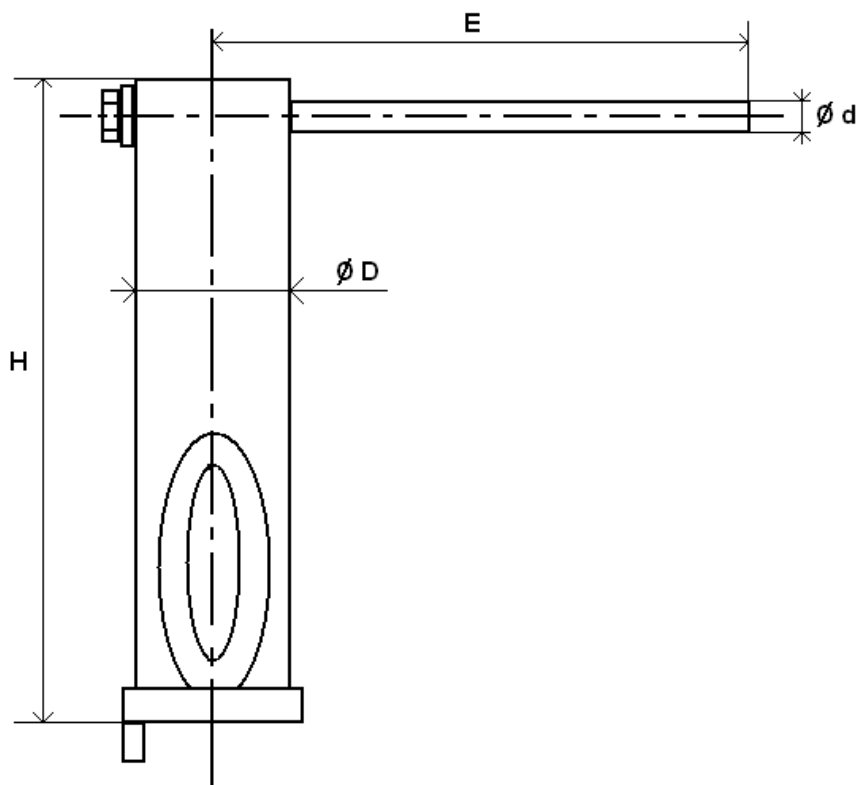


| DN | 1/4" | 3/8" | 1/2" | 3/4" | 1" | 1"1/4 | 1"1/2 | 2" | 2"1/2 | 3" | 4" |
|-------------|--------|--------|--------|--------|--------|--------|--------|--------|--------|--------|--------|
| Ø D | 11.6 | 12.5 | 15 | 20 | 25 | 32 | 38 | 50 | 64 | 76 | 100 |
| L | 59 | 59 | 63.3 | 70.6 | 82 | 97 | 109 | 124.6 | 162 | 175 | 216 |
| L1 | 13.5 | | 15.5 | 16 | 19 | 21.5 | 23.5 | 25.5 | 33.5 | 35 | 42 |
| B | 21.1 | 21.1 | 23.3 | 28.6 | 34 | 44 | 51 | 63 | 84.3 | 94.7 | 119.2 |
| E | 103 | 103 | 126 | 126 | 162 | 162 | 193 | 193 | 230 | 230 | 320 |
| H | 49 | 49 | 57 | 62 | 72 | 78 | 91 | 102 | 122 | 132 | 177 |
| Ø Y | M8 | M8 | M8 | M8 | M10 | M10 | M12 | M12 | M14 | M14 | M20 |
| C | 5 | 5 | 5 | 5 | 6.5 | 6.5 | 8.5 | 8.5 | 9.8 | 9.8 | 16 |
| Ø T | 38.5 | 38.5 | 43 | 51.5 | 58 | 70 | 81.5 | 101 | 136 | 157 | 195.5 |
| T1 | 51 | 51 | 57.5 | 66 | 74.5 | 86.5 | 100.5 | 121.5 | 161 | 185 | 226.5 |
| W | 18 | 21 | 26 | 32 | 39 | 48 | 55 | 67 | 83 | 99 | 127 |
| Weight (Kg) | 0.3 | 0.3 | 0.48 | 0.63 | 0.93 | 1.38 | 2.03 | 3.28 | 7.11 | 10.45 | 21.24 |
| Ref. | 790002 | 790003 | 790004 | 790005 | 790006 | 790007 | 790008 | 790009 | 790010 | 790011 | 790012 |

REF. 790

3 PIECES STAINLESS STEEL BALL VALVE FEMALE BSP INITIAL RANGE

STEM EXTENSION (in mm) :



| DN | 1/4" | 3/8" | 1/2" | 3/4" | 1" | 1"1/4 | 1"1/2 | 2" |
|----------------|---------|------|---------|------|---------|-------|---------|----|
| H | 126 | | 126.3 | | 126.3 | | 128 | |
| E | 124 | | 124 | | 157.8 | | 188.5 | |
| Ø D | 28 | | 28 | | 32 | | 36.5 | |
| Ø d | 12 | | 12 | | 14 | | 14 | |
| Weight (in Kg) | 0.33 | | 0.34 | | 0.48 | | 0.62 | |
| Ref. | 9810611 | | 9810612 | | 9810613 | | 9810614 | |

REF. 790

3 PIECES STAINLESS STEEL BALL VALVE FEMALE BSP INITIAL RANGE

STANDARDS :

- Manufacturer certified ISO 9001 : 2015
- DIRECTIVE 2014/68/EU : For liquids and gas of Group 1
 - DN1/4"-1" : Article 4, §3 (SEP), no CE marking
 - DN1"1/4-4" : Risk Category II, CE0038 or CE0343 marking
- Designing according to EN 12516-2
- Certificate 3.1 on request
- Pressure tests according to API 598, table 6
- Threaded BSP cylindrical ends according to ISO 228-1

ADVICE : Our opinion and our advice are not guaranteed and shall not be liable for the consequences of damages. The customer must check the right choice of the products with the real service conditions.