

REF. 743

3 PIECES BALL VALVE WITH ISO MOUNTING PAD PN 63 INITIAL RANGE NPT

3 pieces stainless steel ball valve with full bore for Chemical industries, petrochemical industries, hydraulic installation, heating, water distribution, compressed air.

PTFE packing, FKM O ring gasket on stem and PTFE filled with 15% glass seat.

Compatible with explosive atmosphere, ATEX Zone 1&21 and Zone 2&22 thanks to the antistatic device.

Thanks to the ISO 5211 plate, an actuator can be installed on the valve.



Certificate
3.1



LRQA
PED/2014/68/UE



Size : DN1/4" to DN2"

Connection : NPT

Min Temperature : -20°C

Max Temperature : +180°C

Max Pressure : 63 Bars up to DN3/4"

Specifications : ISO 5211 mounting pad

PTFE filled with 15% glass seat

Anti blow-out stem, full bore

ATEX

Materials : Stainless steel ASTM A351 CF8M

REF. 743

3 PIECES BALL VALVE WITH ISO MOUNTING PAD PN 63 INITIAL RANGE NPT

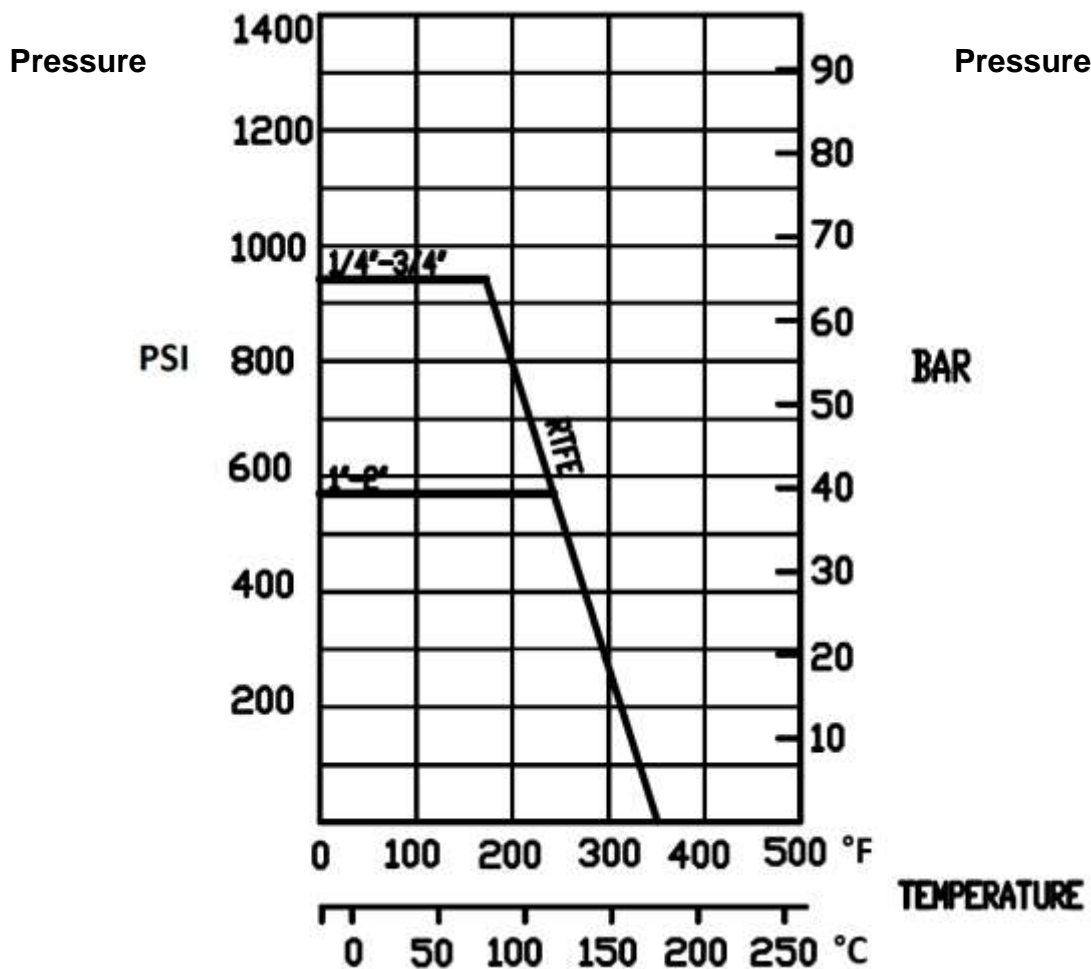
SPECIFICATIONS :

- Full bore
- Anti blow-out stem
- PTFE packing
- ISO 5211 direct mounting pad
- Double antistatic device (between stem-body and stem-ball)
- Atex
- Locking device

USE :

- Chemical industries, petrochemical industries, hydraulic installation, heating, water distribution, compressed air
- Min and max Temperature Ts : -20°C to + 180°C
- Max Pressure Ps : 63 bars up to DN3/4", 40 bars from DN1" to DN2" (see graph under)

PRESSURE / TEMPERATURE GRAPH (STEAM AND COMPRESSED AIR EXCLUDED) :



REF. 743

3 PIECES BALL VALVE WITH ISO MOUNTING PAD PN 63 INITIAL RANGE NPT

TORQUE VALUES (in Nm without safety coefficient) :

DN	1/4"	3/8"	1/2"	3/4"	1"	1"1/4"	1"1/2"	2"
Torque (Nm)	2	2	2.5	3.5	6	7	12	16

BOLT TIGHTENING TABLE (in Nm):

DN	1/4"	3/8"	1/2"	3/4"	1"	1"1/4"	1"1/2"	2"
Torque (Nm)	4	4	8	8	10	13	20	20

FLOW COEFFICIENT Kvs (m3 / h) :

DN	1/4"	3/8"	1/2"	3/4"	1"	1"1/4"	1"1/2"	2"
Kvs (m3/h)	5.2	5.2	20.7	30.2	40.6	70	90.8	208.4

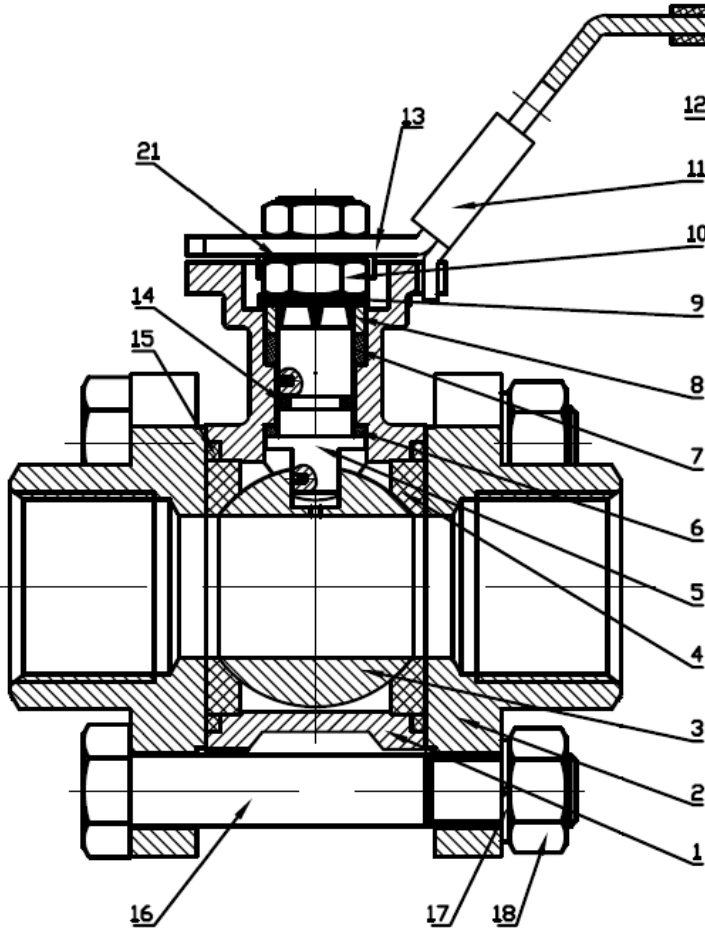
RANGE :

- 3 pieces ball valve with ISO mounting pad Female / female threaded NPT ends **Ref. 743 from DN1/4" to DN2"**.

REF. 743

3 PIECES BALL VALVE WITH ISO MOUNTING PAD PN 63 INITIAL RANGE NPT

MATERIALS :



Item	Designation	Materials
1	Body	ASTM A351 CF8M
2	End cap	
3	Ball	AISI 316
4*	Seat	PTFE + 15% glass
5	Stem	AISI 316
6*	Stem seal	PTFE
7*	Packing	
8	Thrust washer	AISI 304
9	Elastic ring	
10	Packing nut	
11	Locking device	
12	Handle cover	Plastic
13	Handle	AISI 304
14	O Ring	FKM
15*	Body gasket	PTFE
16	Stud	AISI 304
17	Washer	
18	Nut	
21	Washer	

(* : included in gaskets kit)

Repairability :

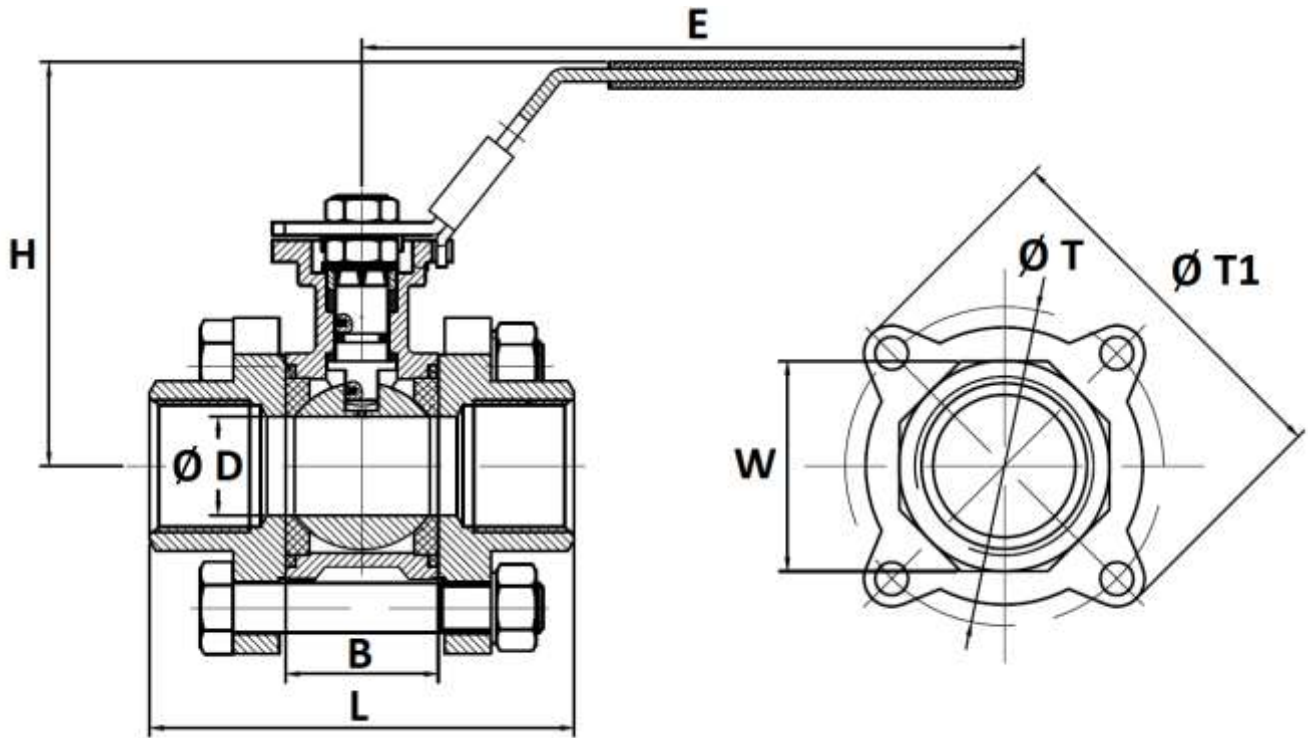


*Gaskets kit (Items 4, 6, 7 and 15)	
DN	Ref.
DN1/4"	9804500
DN3/8"	9804501
DN1/2"	9804502
DN3/4"	9804503
DN1"	9804504
DN1"1/4"	9804505
DN1"1/2"	9804506
DN2"	9804507

REF. 743

3 PIECES BALL VALVE WITH ISO MOUNTING PAD PN 63 INITIAL RANGE NPT

SIZE (en mm):

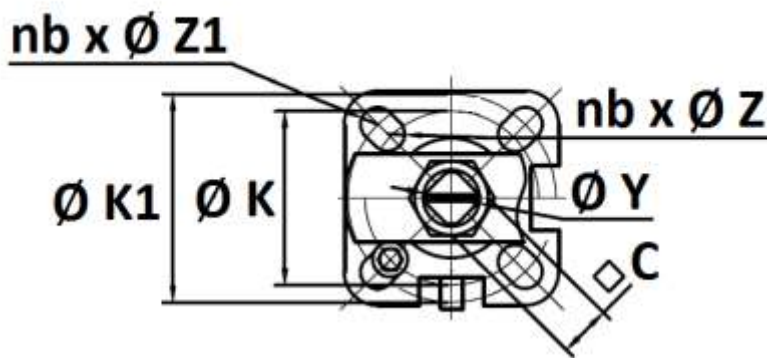
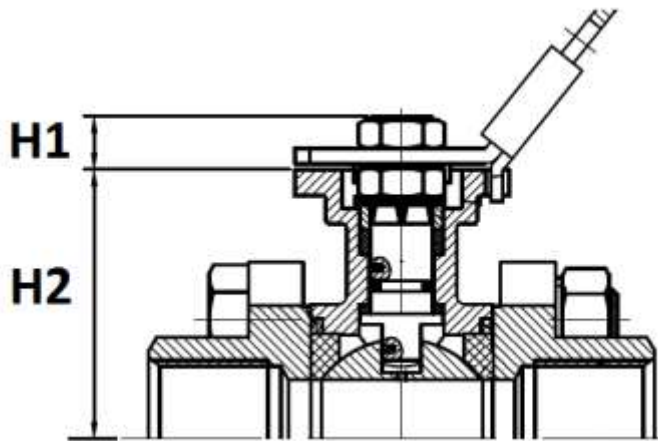


DN	1/4"	3/8"	1/2"	3/4"	1"	1"1/4"	1"1/2"	2"
Ø D	11.5	12.5	15	20	25	32	38	50
L	64	64	66	70.6	82	97	109	124.6
B	26	26	26	28.6	34	44	51	62.8
E	141	141	141	141	162	162	188	188
H	75	75	75	81	93	98	109	124
Ø T	47.5	47.5	47.5	51.5	58	70	81.5	101
T1	62	62	62	66	74.5	86.5	100.5	121.5
W	18	21	26	32	39	48	55	67
Weight (in Kg)	0.54	0.54	0.62	0.63	1.09	1.48	2.39	3.59
Ref.	743002	743003	743004	743005	743006	743007	743008	743009

REF. 743

3 PIECES BALL VALVE WITH ISO MOUNTING PAD PN 63 INITIAL RANGE NPT

ISO MOUNTING PAD AND STEM SIZE (in mm) :



DN	1/4"	3/8"	1/2"	3/4"	1"	1 1/4"	1 1/2"	2"
C	9			11		14		
Ø Y	M12x1.5			M14x1.5		M18x1.5		
H1	9			11		15		
H2	42		48	55	60	70	85	
Ø K	36			42		50		
ISO	F03			F04		F05		
nb x Ø Z	4 x 6					4 x 7		
Ø K1	42			50		70		
ISO 1	F04			F05		F07		
N x Ø Z1	4 x 6			4 x 7		4 x 9		

REF. 743

3 PIECES BALL VALVE WITH ISO MOUNTING PAD PN 63 INITIAL RANGE NPT

STANDARDS :

- Manufacturer certified ISO 9001 : 2015
- DIRECTIVE 2014/68/EU : For liquids and gas of Group 1
 - DN1/4"-1" : Article 4, §3 (SEP), no CE marking
 - DN1"1/4-2" : Risk Category II, CE0038 or CE0343 marking
- Construction according to EN 12516-2
- Certificate 3.1 on request
- Pressure tests according to API 598
- Threaded NPT ends according to ANSI B1.20.1
- ISO 5211 mounting pad
- ATEX Group II Category 2G IIA TX (optional marking) according to Directive 2014/34/UE

ADVICE : Our opinion and our advice are not guaranteed and shall not be liable for the consequences of damages. The customer must check the right choice of the products with the real service conditions.