

REF. 7152

2 PIECES STAINLESS STEEL BALL VALVE PN63 WITH EXHAUST HOLE

2 pieces stainless steel ball valve with full bore for compressed air.
PTFE packing and PTFE filled with 15% glass fiber seat.
Exhaust hole.

Certificate

3.1



Size : DN1/4" to DN1"
Connection : Female BSP
Min Temperature : -20°C
Max Temperature : +180°C
Max Pressure : 8 bars
Specifications : Anti blow-out stem
Locking reversible device
Full bore
With exhaust hole

Materials : Stainless Steel EN 1.4408

REF. 7152

2 PIECES STAINLESS STEEL BALL VALVE PN63 WITH EXHAUST HOLE

SPECIFICATIONS :

- Full bore
- Anti blow-out stem
- PTFE packing
- PTFE filled with 15% glass fiber seat
- Locking reversible device
- Solid ball
- 2 pieces type
- With exhaust hole

USE :

- Compressed air
- Min and max Temperature Ts : -20°C to + 180°C
- Max pressure 8 bars

TORQUE VALUES (in Nm without safety coefficient) :

DN	1/4"	3/8"	1/2"	3/4"	1"
Torque (Nm)	3	4	6	8	10

FLOW COEFFICIENT Kvs (M3 / h) :

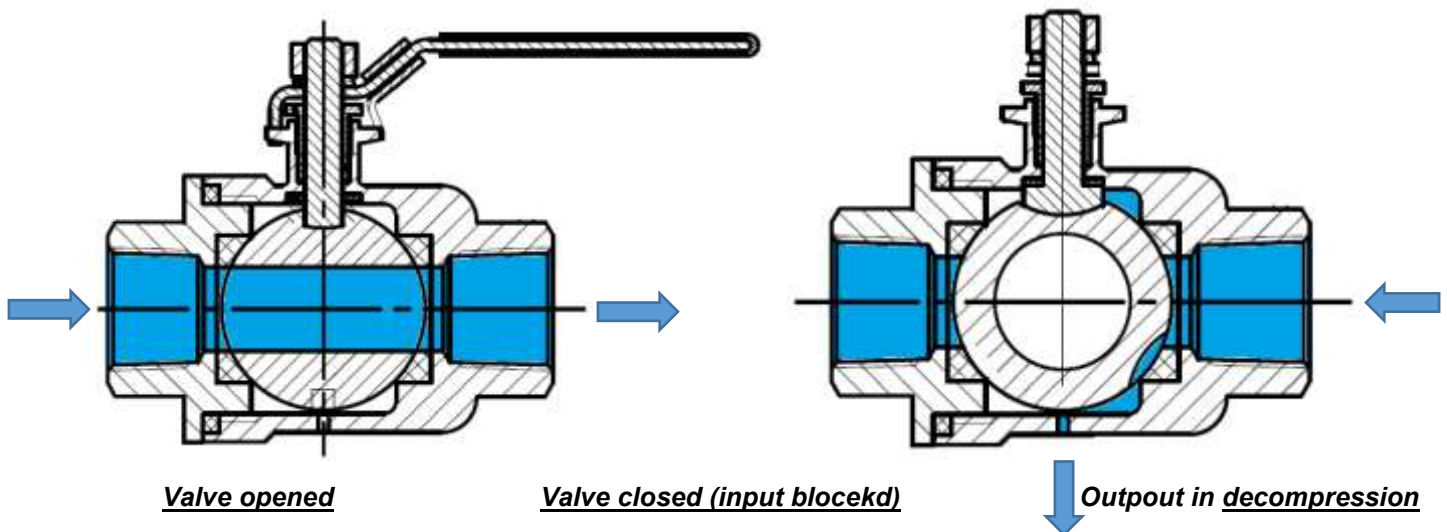
DN	1/4"	3/8"	1/2"	3/4"	1"
Kvs (m3/h)	6.6	7.9	11.2	21	35

RANGE :



- Ball valve female / female threaded BSP Stainless steel blue handle with exhaust hole
Ref. 7152 from DN 1/4" to DN 1"

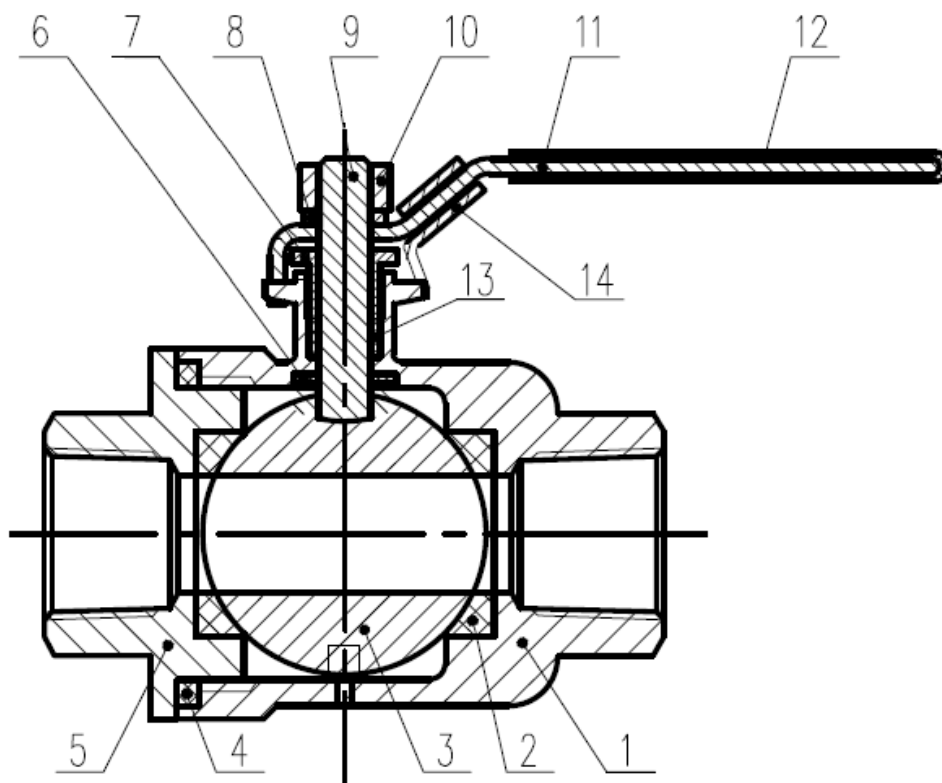
OPERATION :



REF. 7152

2 PIECES STAINLESS STEEL BALL VALVE PN63 WITH EXHAUST HOLE

MATERIALS :

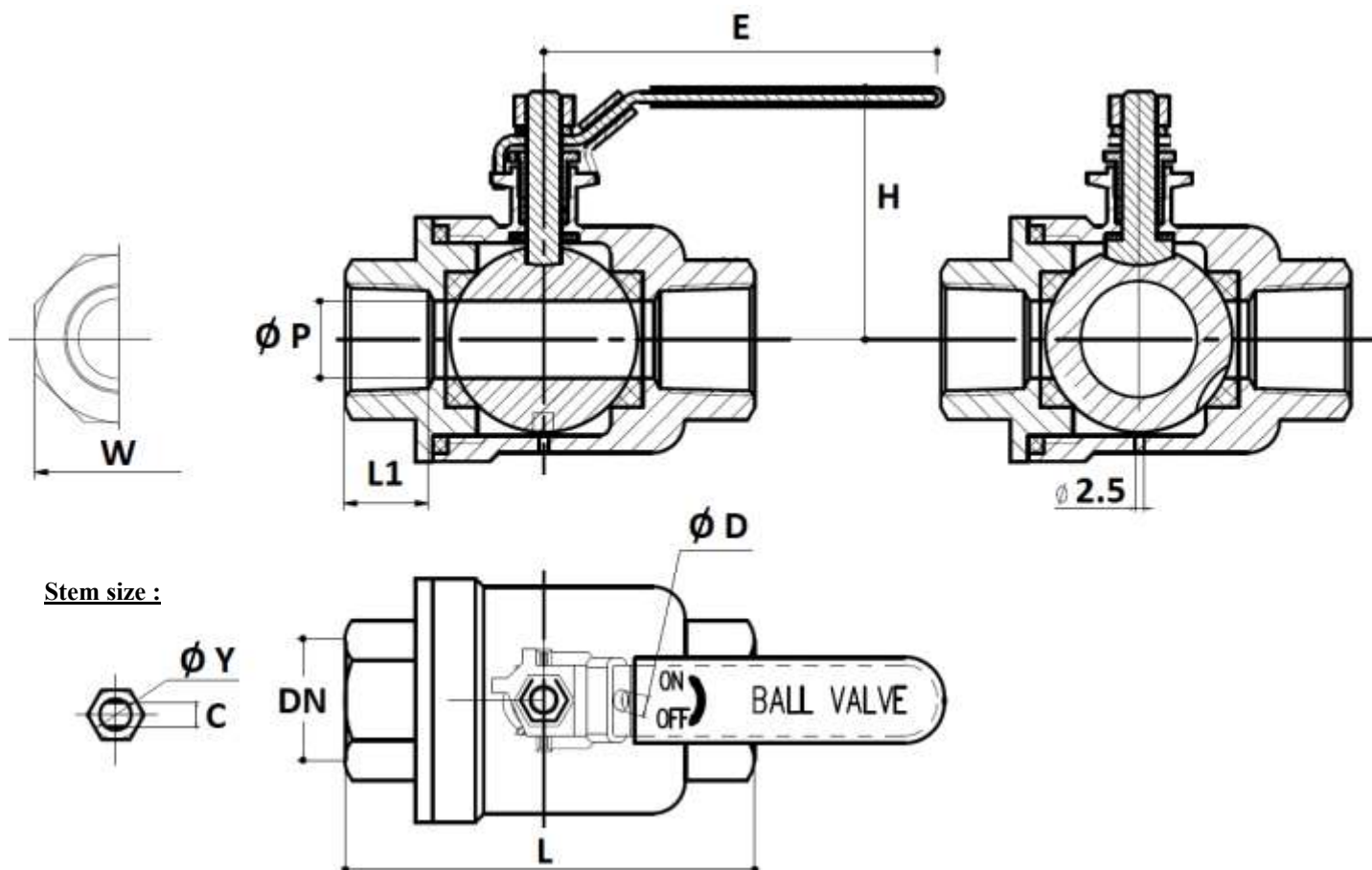


Item	Designation	Materials
1	Body	EN 1.4408
2	Seat	PTFE filled with 15% glass fiber
3	Ball	AISI 316
4	Body gasket	PTFE
5	End	EN 1.4408
6	Thrust washer	PTFE
7	Packing nut	AISI 304
8	Washer	
9	Stem	AISI 316
10	Handle nut	AISI 304
11	Handle	
12	Handle cover	PVC
13	Packing	PTFE
14	Locking device	AISI 304

REF. 7152

2 PIECES STAINLESS STEEL BALL VALVE PN63 WITH EXHAUST HOLE

SIZE (in mm) :



DN	1/4"	3/8"	1/2"	3/4"	1"
Ø P	11.5	12.5	15	20	25
L	40	41	50	56	68
E	85		95	120	
H	44		46	53	57
L1	8	9.5	11.5	12	15
W (on flat)	16.5	20	24	30	36.5
Ø D	4.8			5.8	
C	5			5.8	
Ø Y	M8				
Weight (in Kg)	0.15	0.15	0.21	0.31	0.44
Ref.	715202	715203	715204	715205	715206

REF. 7152

2 PIECES STAINLESS STEEL BALL VALVE PN63 WITH EXHAUST HOLE

STANDARDS :

- Manufacturer certified ISO 9001 : 2015
- DIRECTIVE 2014/68/EU : For liquids and gas of Group 1
 - DN1/4"-1": Article 4, §3 (SEP), no CE marking
- Certificate 3.1 on request
- Pressure Tests according to EN 12266-1, rate A
- Female BSPP internal parallel thread according to ISO 228-1

ADVICE : Our opinion and our advice are not guaranteed and shall not be liable for the consequences of damages. The customer must check the right choice of the products with the real service conditions.