

REF. 708

1 PIECE STAINLESS STEEL BALL VALVE

1 piece stainless steel ball valve with reduced bore for Chemical industries, petrochemical industries, hydraulic installation, heating, water distribution, compressed air.
PTFE gasket and seat.

Certificate
3.1

CE **LRQA**
PED/2014/68/UE



Size : DN1/4" to DN2"
Connection : Female BSP
Min Temperature : -20°C
Max Temperature : +180°C
Max Pressure : 63 Bars
Anti blow-out stem
Reduced bore
Locking device
1 piece type

Materials : Stainless Steel EN 1.4408



REF. 708

1 PIECE STAINLESS STEEL BALL VALVE

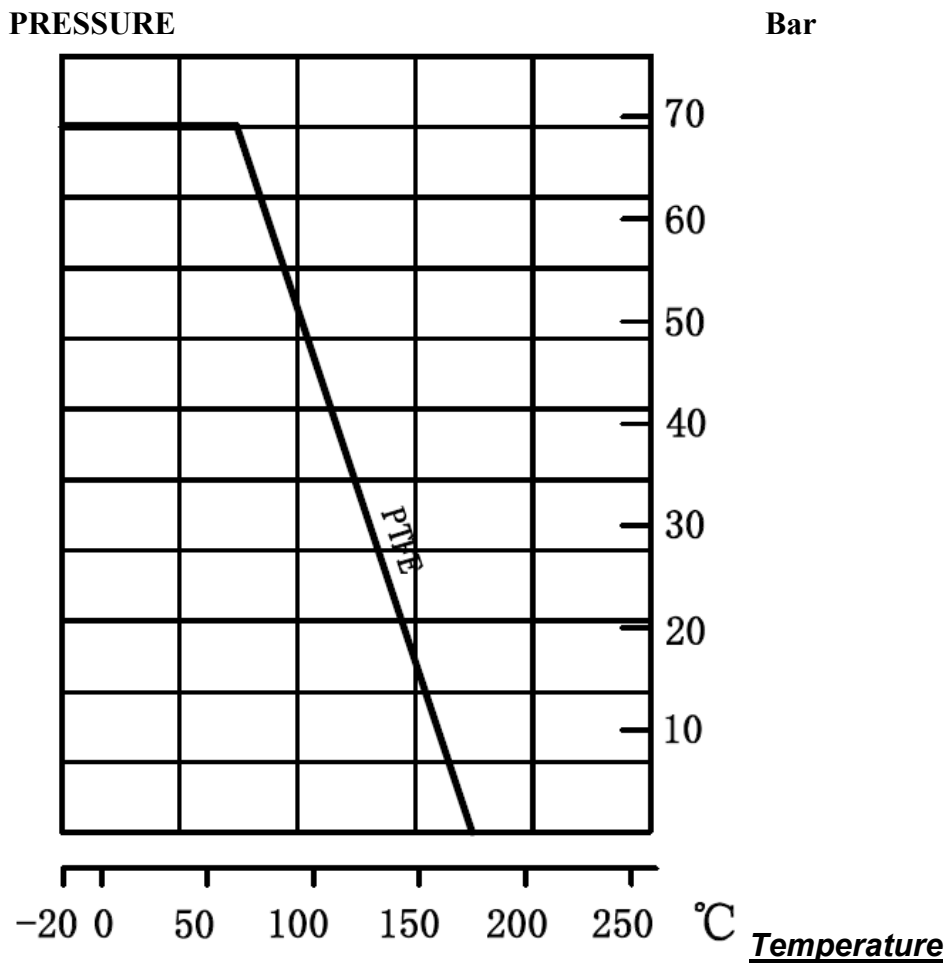
SPECIFICATIONS :

- Reduced bore
- Anti blow-out stem
- Locking device
- Solid ball
- 1 piece type

USE :

- Chemical and pharmaceutical industries, petrochemical industries, hydraulic installation, compressed air
- Min and max Temperature Ts : -20°C to + 180°C
- Max Pressure Ps : 63 bars (see graph)

PRESSURE / TEMPERATURE GRAPH (STEAM EXCLUDED) :



REF. 708

1 PIECE STAINLESS STEEL BALL VALVE

FLOW COEFFICIENTT Kvs (M3 / h) :

DN	1/4"	3/8"	1/2"	3/4"	1"	1"1/4	1"1/2	2"
Kvs (m3/h)	7	8	9	19	45	80	125	165

TORQUE VALUES (in Nm without safety coefficient) :

DN	1/4"	3/8"	1/2"	3/4"	1"	1"1/4	1"1/2	2"
Torque (Nm)	2	2	2.5	3.5	6	7	12	16

RANGE :



- 1 piece stainless steel ball valve female BSP with red flat handle from DN 1/4" to DN 2" **Ref.708**



- Blue handle cover from DN 1/4" to DN 2" **Ref.9830630 to 9830634**

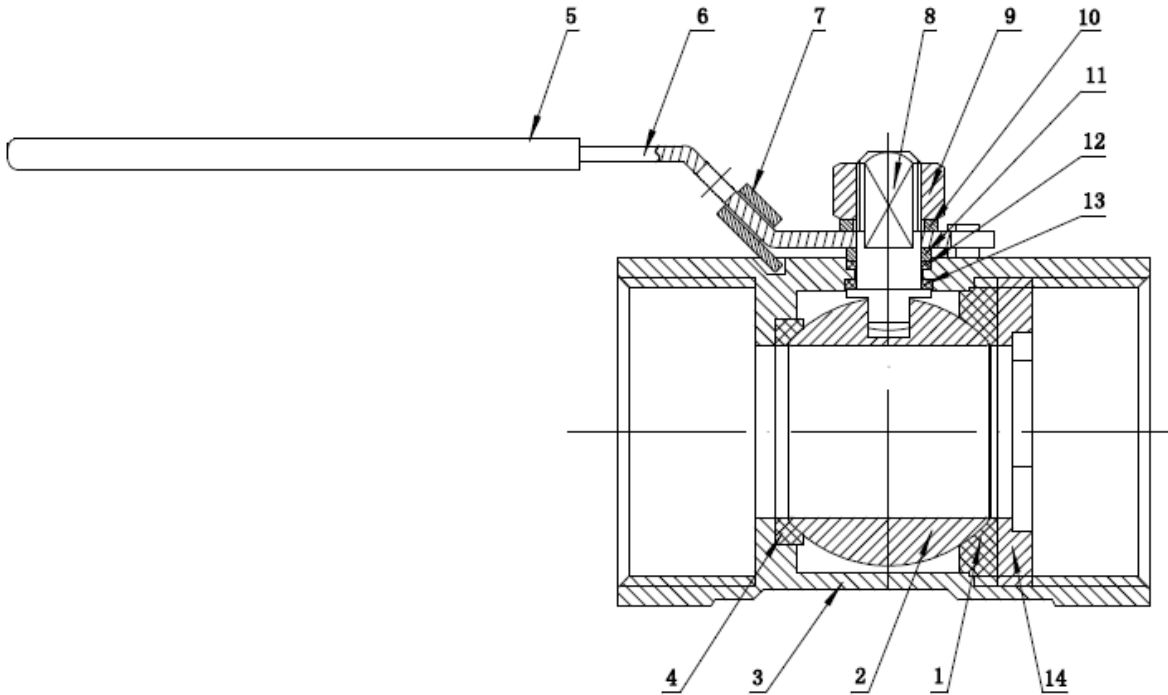
CONNECTION :

- Female / female threaded BSP

REF. 708

1 PIECE STAINLESS STEEL BALL VALVE

MATERIALS :

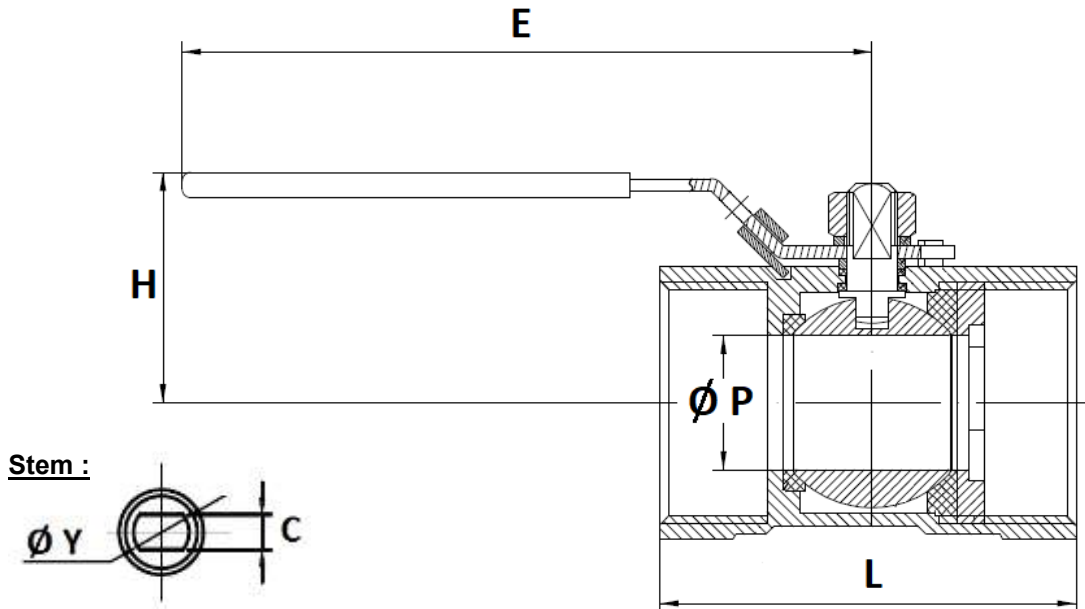


Item	Designation	Materials
1	Gasket	PTFE
2	Ball	AISI 316
3	Body	EN 1.4408
4	Seat	PTFE
5	Handle cover	Plastic
6	Handle	AISI 316
7	Locking device	
8	Stem	
9	Stem nut	
10	Spring washer	
11	Stem washer	
12	Stem gasket	PTFE
13	Thrust washer	
14	Ends	EN 1.4408

REF. 708

1 PIECE STAINLESS STEEL BALL VALVE

SIZE (in mm) :



DN	1/4"	3/8"	1/2"	3/4"	1"	1"1/4"	1"1/2"	2"	
Ø P	5	7	9.2	12.5	15	20	25	32	
L	39	44	56.5	59	71	78	83	99	
E	65	88	110				155		
H	28.5	31	38	40	47	52	58.5	64.5	
C	3	4	5		6		8		
Ø Y	M5	M6	M8		M10		M12		
Weight (in Kg)	0.06	0.1	0.19	0.26	0.37	0.51	0.73	1.17	
Ref.	708002	708003	708004	708005	708006	708007	708008	708009	

STANDARDS :

- Manufacturer certified ISO 9001 : 2015
- DIRECTIVE 2014/68/EU : For liquids and gas of Group 1
 - DN1/4"-1" : Article 4, §3 (SEP), no CE marking
 - DN1"1/4-2" : Risk Category II, CE0038 or CE0343 marking
- Certificate 3.1 on request
- Pressure tests according to EN 12266-1, Rate A
- Threaded cylindrical BSP ends according to ISO 228-1

ADVICE : Our opinion and our advice are not guaranteed and shall not be liable for the consequences of damages. The customer must check the right choice of the products with the real service conditions.