

REF. 703R

FIRE SAFE 3 PIECES STAINLESS STEEL BALL VALVE PN140/100 REDUCED BORE EXCELLENCE RANGE

3 pieces stainless steel ball valve fully encapsulated bolts with reduced bore for Chemical industries, petrochemical industries, hydraulic installation, heating, water distribution, compressed air.
 Ball valve with firesafe certificate ISO 10497 and API 607 to reduce risks in case of fire.
 Graphite packing and PTFE filled with glass seat gasket on stem, PTFE filled with carbon seat.
 Compatible with explosive atmosphere, ATEX Zone 1&21 and Zone 2&22 thanks to the antistatic device.
 Handling with locking device, on request possible with handwheel or stem extension.
 Thanks to the ISO 5211 plate, an actuator can be installed on the valve.



- Size :** DN15 to DN50 (NPS 1/2" to 2")
- Connection :** Threaded BSP or NPT, SW or BW
- Min Temperature :** -30°C
- Max Temperature :** +220°C
- Max Pressure :** 100 to 140 Bars
- Specifications :** Antistatic device, ATEX
 ISO 5211 mounting pad
 Anti blow-out stem, reduced bore
 Fully encapsulated bolts
 Fire safe ISO 10497 : 2010 and API 607 V.6

Materials : Stainless Steel EN 1.4408

REF. 703R

FIRE SAFE 3 PIECES STAINLESS STEEL BALL VALVE PN140/100 REDUCED BORE EXCELLENCE RANGE

SPECIFICATIONS :

- Reduced bore
- Anti blow-out stem
- Special gland pack with elastic washer
- Antistatic device in DN15, double antistatic device (ball between body-stem and ball-stem) from DN20 to 50
- Fire safe according to ISO 10497:2010 and API 607 V.6
- Locking device
- Handwheel and stem extension (optional)
- ISO 5211 mounting pad
- Fully encapsulated bolts
- Pressure class 800 lbs up to DN25, 600 lbs from DN32

USE :

- Chemical and pharmaceutical industries, petrochemical industries, hydraulic installation, compressed air
- Steam : 18 bars maximum
- Vacuum : 10⁻² torr
- Min and max Temperatures Ts : -30°C to + 220°C
- Max Pressure Ps : 140 bars up to DN25, 100 bars beyond (see graph)

FLOW COEFFICIENT Kvs (M3 / h) :

DN	15	20	25	32	40	50
NPS	1/2"	3/4"	1"	1"1/4	1"1/2	2"
Kvs (m3/h)	13.4	31.3	57.86	94.25	157.9	227.9

TORQUE VALUES (in Nm without safety coefficient) :

DN	15	20	25	32	40	50
NPS	1/2"	3/4"	1"	1"1/4	1"1/2	2"
Pressure (bar)						
Breaking torque	10	12	19.2	25	28.7	50
17	9.5	10	16	17	18	36
34	10	10	17	18	18	36
69	10	10.5	17.5	21	22	41
103	10	10.5	18	26	27.5	42
138	10	11.5	19			

MAXIMUM ALLOWABLE STEM TORQUE MAST (in Nm) :

DN (mm)	15	20	25	32	40	50
NPS (")	1/2"	3/4"	1"	1"1/4	1"1/2	2"
Torque (Nm)		23		41		77

BOLT TIGHTENING TABLE (in Nm) :

DN	15	20	25	32	40	50
NPS	1/2"	3/4"	1"	1"1/4	1"1/2	2"
Torque (Nm)	9.8	22.07	22.07	39.2	39.2	58.8

REF. 703R

FIRE SAFE 3 PIECES STAINLESS STEEL BALL VALVE PN140/100 REDUCED BORE EXCELLENCE RANGE

RANGE :

- 3 pieces fire safe reduced bore stainless steel ball valve Ref. **703R** from DN 15 to DN 50

CONNECTION :

- Female / female threaded BSP Ref. **703R00**
- Female / female threaded NPT Ref. **703R30**
- Welding S.W. Ref. **703R2**
- Welding B.W. Ref. **703R1**

OPTIONS :



- Oval lockable handwheel AISI 304
Ref. **9830440-9830443**

DN	15	20	25	32	40	50
NPS	1/2"	3/4"	1"	1"1/4	1"1/2	2"
Ref.	9830440	9830441	9830441	9830442	9830442	9830443

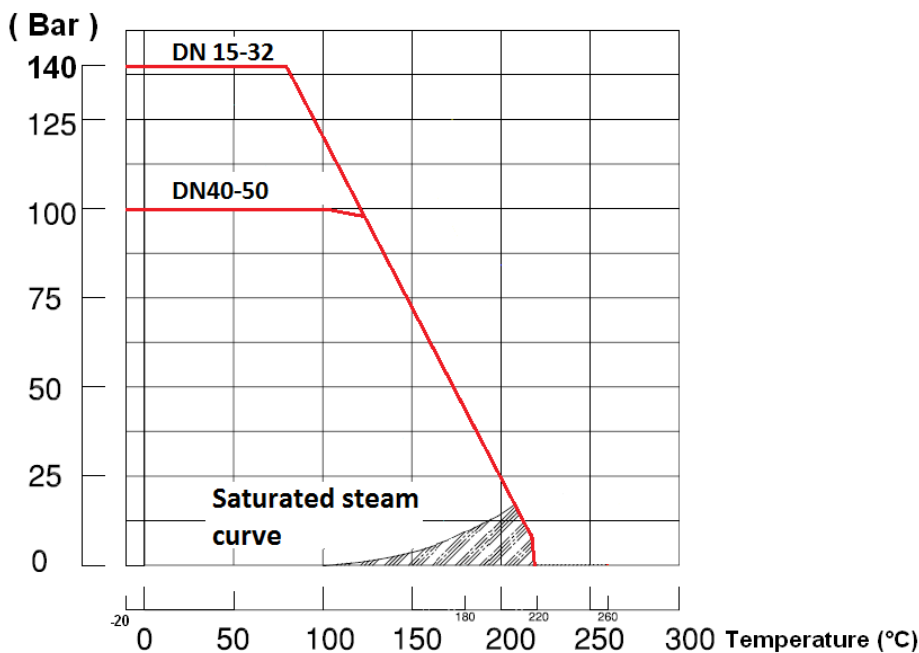


- AISI 304 stem extension Ref. **9830471-9830473**

DN	20	25	32	40	50
NPS	3/4"	1"	1"1/4	1"1/2	2"
Ref.	9830471	9830471	9830472	9830472	9830473

PRESSURE / TEMPERATURE GRAPH :

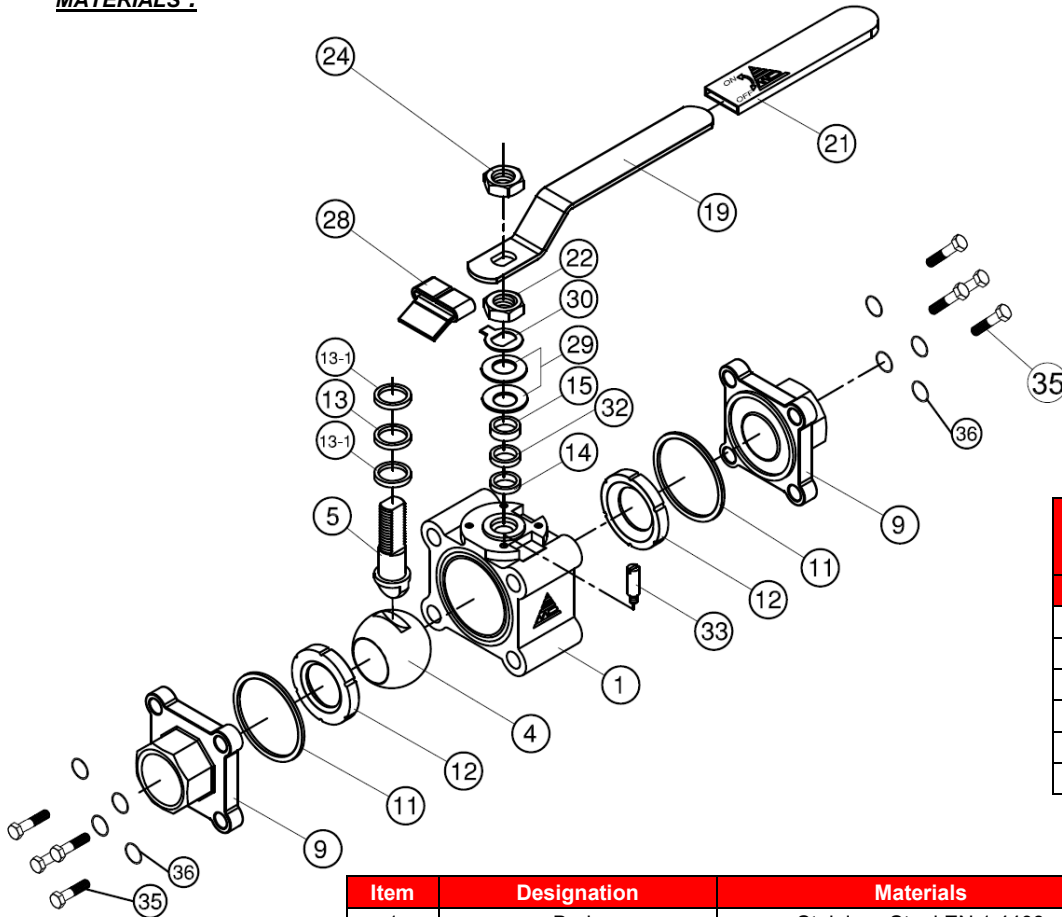
PRESSURE



REF. 703R

FIRE SAFE 3 PIECES STAINLESS STEEL BALL VALVE PN140/100 REDUCED BORE EXCELLENCE RANGE

MATERIALS :



Repairability :



*Gaskets kit (Items 11, 12, 13, 13-1, 14 and 32)	
DN	Ref.
DN15	9804172
DN20	9804173
DN25	9804174
DN32	9804175
DN40	9804176
DN50	9804177

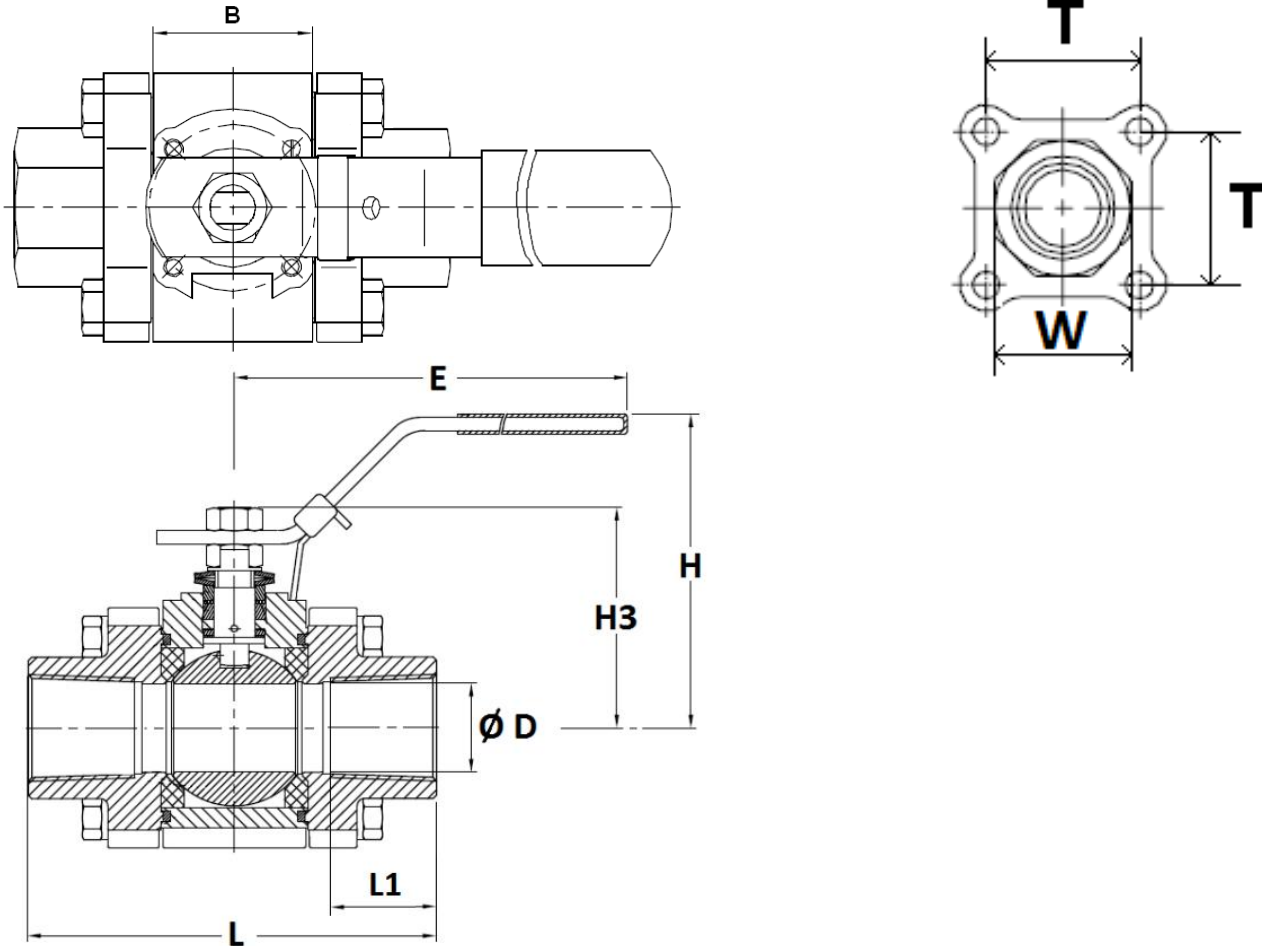
(* : included in gaskets kit)

Item	Designation	Materials
1	Body	Stainless Steel EN 1.4408
4	Ball	ASTM A351 CF8M
5	Stem	AISI 316
9	Ends	Stainless Steel EN 1.4408
11*	Body gasket	Graphite
12*	Seat	PTFE filled with 25% carbon
13*	Thrust washer	Graphite
13-1*	Thrust washer	PTFE filled with 15% Glass fiber
14*	Packing	Graphite
15	Gland bush	AISI 304
19	Handle	
21	Handle cover	Plastic
22	Packing nut	AISI 304
24	Handle nut	
28	Locking device	
29	Elastic washer	AISI 301
30	Tab washer	AISI 304
32*	Packing follower	PTFE filled with 15% Glass fiber
33	Stop pin	AISI 304
35	Screw	
36	Washer	

REF. 703R

FIRE SAFE 3 PIECES STAINLESS STEEL BALL VALVE PN140/100 REDUCED BORE EXCELLENCE RANGE

SIZE THREADED TYPES (in mm) :

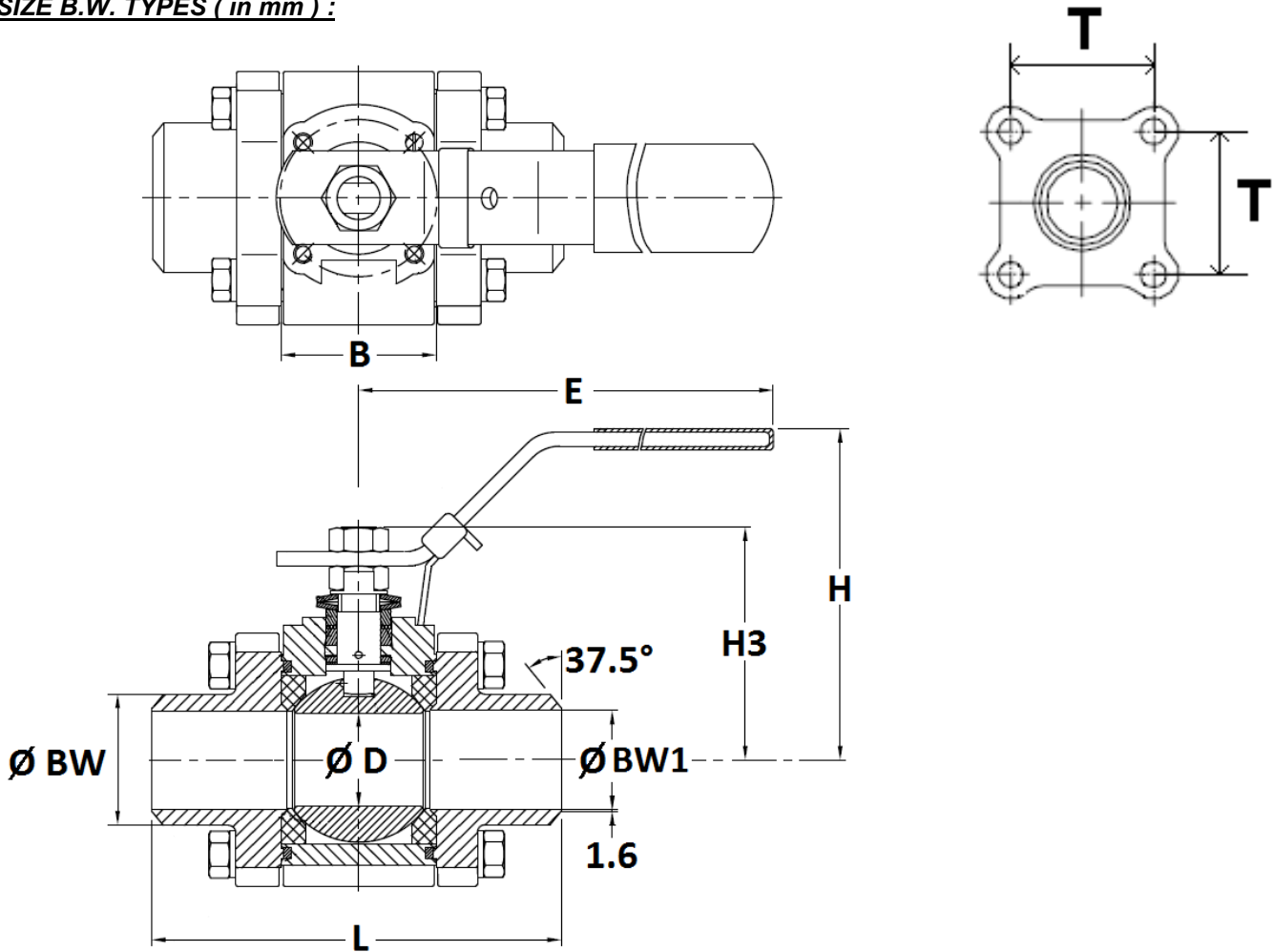


NPS	1/2"	3/4"	1"	1"1/4	1"1/2	2"
Ø D	10	15	20	25	32	38
L	64,8	72,5	84,2	105,3	111	127,3
L1	15,2	15,6	18,6	19,6	22,6	25
B	20,5	24,5	31,4	41,3	48,4	56,3
E	132,8	132,8	132,8	171,8	171,8	204,2
H	63,7	65,1	73,2	83,1	87,6	98,4
H3	37,1	46,1	50,9	61,4	66,8	80
T	32	35	41,3	48	56,2	63,6
W (on flat)	30,3	36,5	44,5	54,1	60	73
Weight (in Kg)	0,7	0,8	1,3	2	2,9	4,1
Ref. BSP	703R004	703R005	703R006	703R007	703R008	703R009
Ref. NPT	703R304	703R305	703R306	703R307	703R308	703R309

REF. 703R

FIRE SAFE 3 PIECES STAINLESS STEEL BALL VALVE PN140/100 REDUCED BORE EXCELLENCE RANGE

SIZE B.W. TYPES (in mm) :

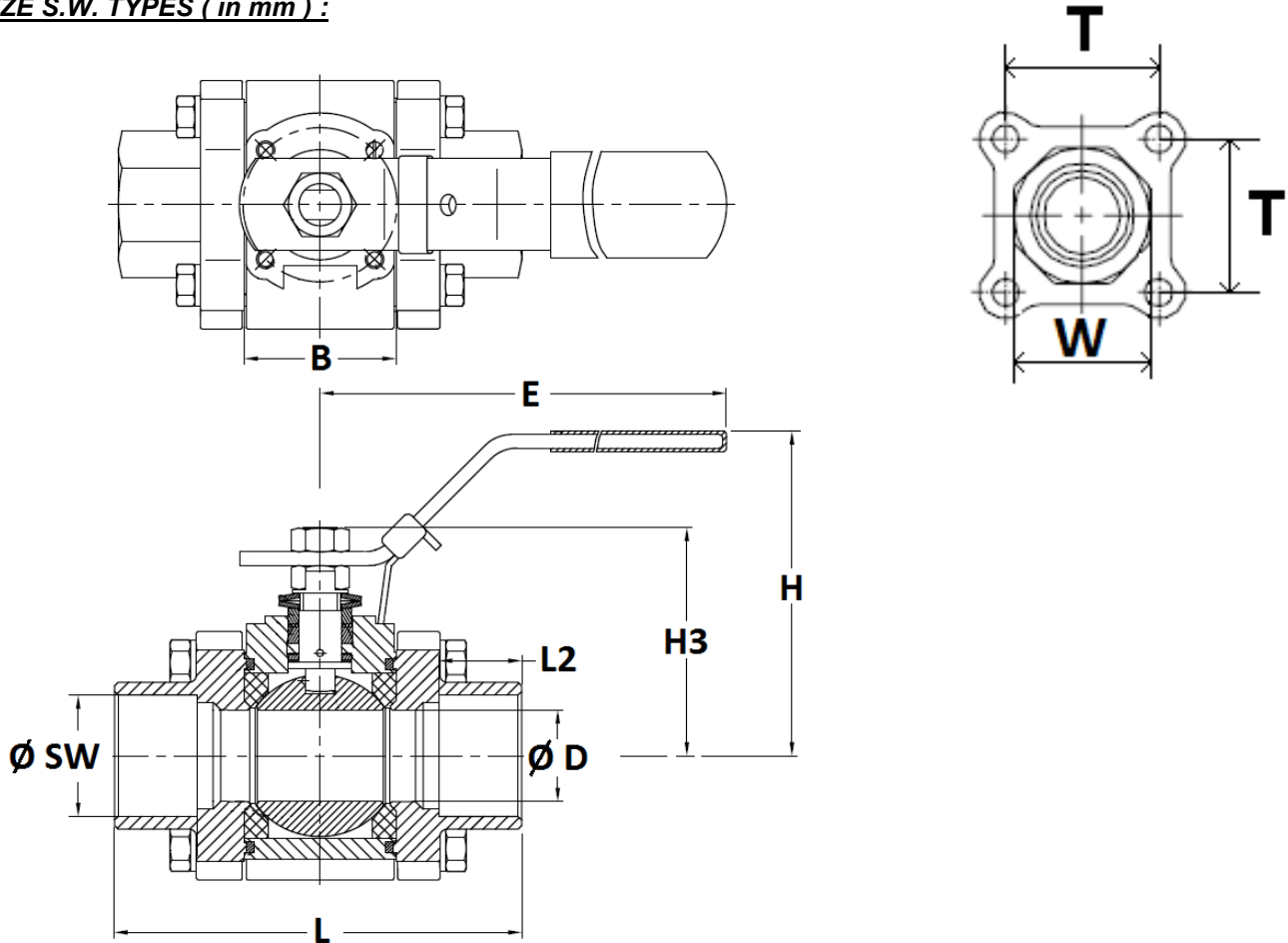


DN	15	20	25	32	40	50
Ø D	10	15	20	25	32	38
Ø BW1	15	20	25	32	38	50
L	64,8	72.5	84.2	105.3	111	127.3
B	20.5	24.5	31.4	41.3	48.4	56.3
E	132.8	132.8	132.8	171.8	171.8	204.2
H	63.7	65.1	73.2	83.1	87.6	98.4
H3	37.1	46.1	50.9	61.4	66.8	80
T	32	35	41.3	48	56.2	63.6
Ø BW	21.9	27.3	34.7	42.8	49.1	60.9
Weight (in Kg)	0.58	0.74	1.21	1.85	2.67	3.9
Ref.	703R115	703R120	703R125	703R132	703R140	703R150

REF. 703R

FIRE SAFE 3 PIECES STAINLESS STEEL BALL VALVE PN140/100 REDUCED BORE EXCELLENCE RANGE

SIZE S.W. TYPES (in mm) :

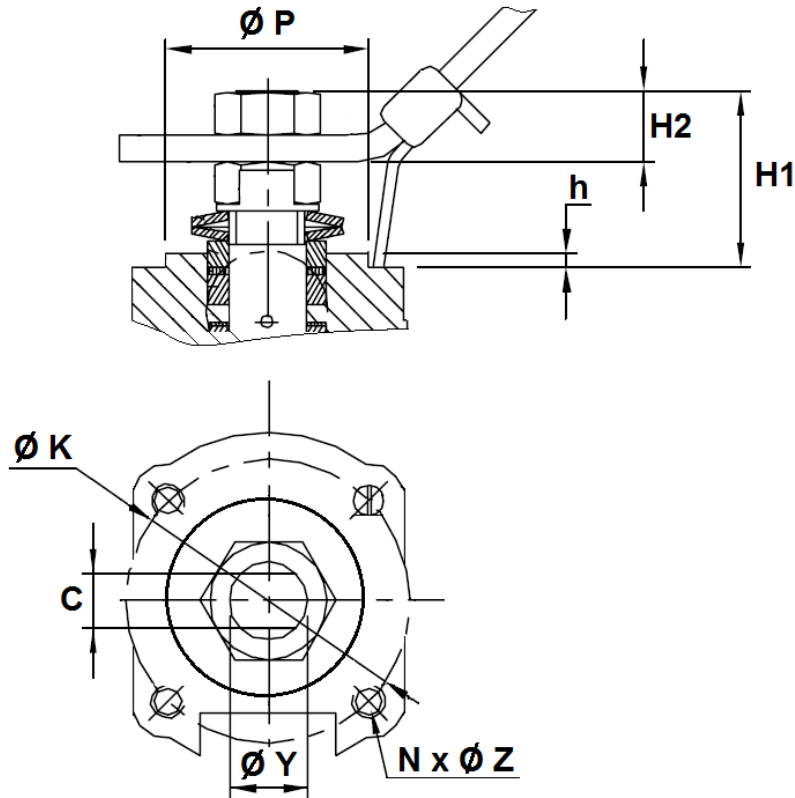


DN	15	20	25	32	40	50
Ø D	10	15	20	25	32	38
L	64,8	72,5	84.2	105,3	111	127,3
B	20.5	24.5	31.4	41.3	48.4	56.3
L2	10	13	13	13	13	16
E	132.8	132.8	132.8	171.8	171.8	204.2
H	63.7	65.1	73.2	83.1	87.6	98.4
H3	37.1	46.1	50.9	61.4	66.8	80
T	32	35	41.3	48	56.2	63.6
W (on flat)	29.4	30.3	36.5	44.5	54.1	60
Ø SW	21.7	27,3	33,9	42,8	48.7	61.3
Weight (in Kg)	0.7	0.8	1.3	2	2.85	4.1
Ref.	703R215	703R220	703R225	703R232	703R240	703R250

REF. 703R

FIRE SAFE 3 PIECES STAINLESS STEEL BALL VALVE PN140/100 REDUCED BORE EXCELLENCE RANGE

ISO 5211 MOUNTING PAD AND STEM SIZE (in mm) :



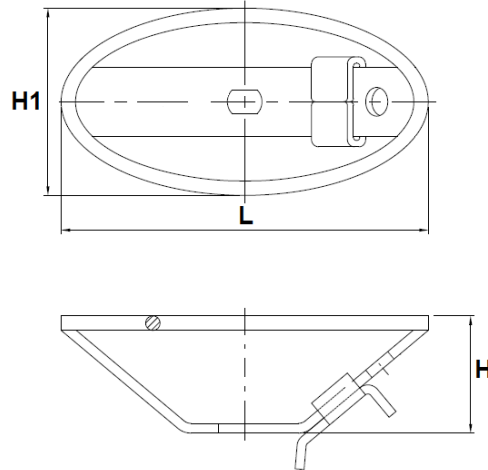
DN	15	20	25	32	40	50
NPS	1/2"	3/4"	1"	1 1/4"	1 1/2"	2"
H1	7.5	17.1	18.1	25.4	26.2	32.4
H2	6.6	11.1	9.1	13.1	12.6	14.9
h	0,5	2	2	2	2	2,2
C	6,5			8		9,7
$\varnothing Y$	9,5 (3/8"-24UNF)			11,1 (7/16"-20UNF)		14.2 (9/16"-18UNF)
$\varnothing P$	25	25	25	30	30	35
$\varnothing K$	36	36	36	42	42	50
ISO	F03	F03	F03	F04	F04	F05
N x $\varnothing Z$	4x M5	4x M5	4x M5	4x M5	4x M5	4 x M6



REF. 703R

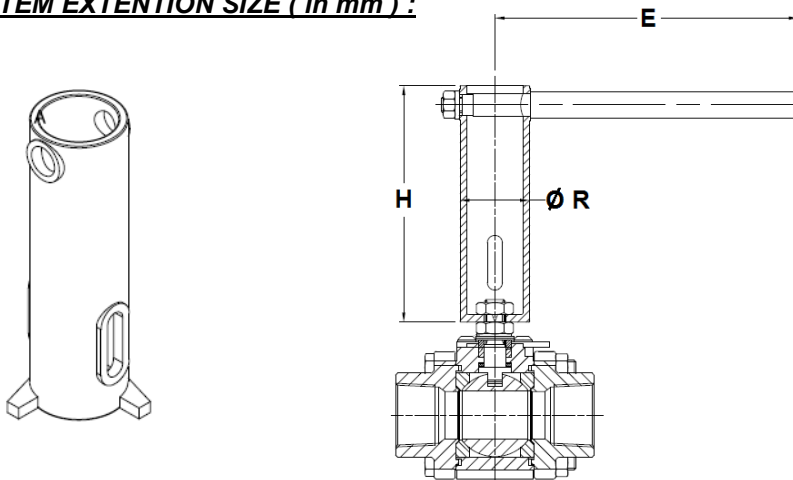
FIRE SAFE 3 PIECES STAINLESS STEEL BALL VALVE PN140/100 REDUCED BORE EXCELLENCE RANGE

OVAL LOCKABLE HANDWHEEL AISI 304 SIZE (in mm) :



DN	15	20	25	32	40	50
NPS	1/2"	3/4"	1"	1"1/4	1"1/2	2"
L	102	116	116	130	130	147
H	32.5	35	35	40	40	43
H1	52	62	62	82	82	87
Weight (Kg)	0.106	0.119	0.119	0.176	0.176	0.22
Ref.	9830440	9830441	9830441	9830442	9830442	9830443

AISI 304 STEM EXTENTION SIZE (in mm) :



DN	20	25	32	40	50
NPS	3/4"	1"	1"1/4	1"1/2	2"
H	125.5	125.5	125.5	125.5	127.5
E	126.5	126.5	161	161	194
Ø R	31	31	37	37	43
Ref.	9830471	9830471	9830472	9830472	9830473

REF. 703R

FIRE SAFE 3 PIECES STAINLESS STEEL BALL VALVE PN140/100 REDUCED BORE EXCELLENCE RANGE

STANDARDS :

- Manufacturer certified ISO 9001 : 2015 and ISO 14001 : 2015
- DIRECTIVE 2014/68/EU : For liquids and gas of Group 1
 - DN8-25 : Article 4, §3 (SEP), no CE marking
 - DN32-50 : Risk Category II, CE0038 or CE0343 marking
- Certificate 3.1 on request
- Construction according to EN 12516-1 Class 800 or Class 600 (depending on DN)
- Designing according to ASME B16.34
- Pressure tests according to EN12266-1, rate A
- Fire safe according to ISO 10497:2010 and API 607 6th
- ABS type Approval Marine certificate
- Threaded cylindrical BSPP ends according to ISO 228-1
- Threaded NPT ends according to ANSI B1.20.1
- S.W. ends according to ASME B16.11 Schedule 40
- B.W. ends according to ASME B36.10 Schedule 40
- ISO 5211 mounting pad
- ATEX Group II Category 2 G/2D Zone 1 & 21 Zone 2 & 22 (optional marking) according directive 2014/34/EU

ADVICE : Our opinion and our advice are not guaranteed and SFERACO shall not be liable for the consequences of damages. The customer must check the right choice of the products with the real service conditions.