



Laveggi - Lids & Manholes

Chiusino superiore apertura esterna con omologazione PED.

Upper manhole with outwardly opening with PED Approval.

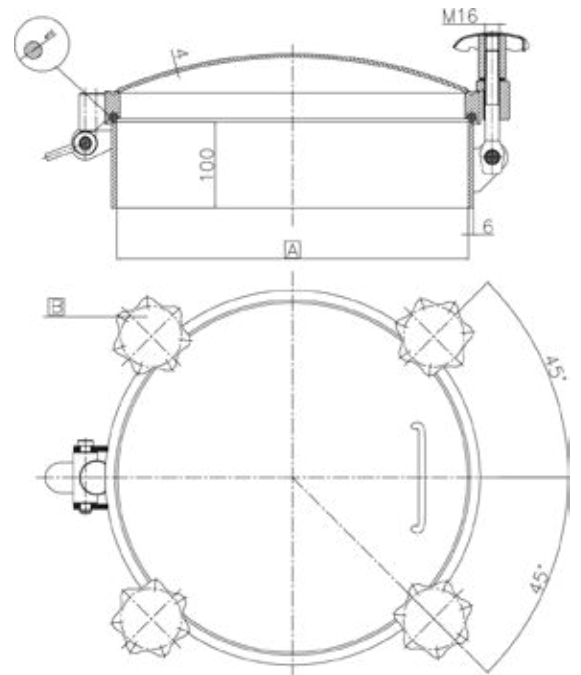
- LUCE UTILE DI PASSAGGIO:
300-400-450-500-600-700 mm
- PRESSIONE MASSIMA DI ESERCIZIO:
Vedi i dati in tabella
- MATERIALE:
AISI 304(W.NR.1.4301) - AISI 316/L(W.NR.1.4404)
- VOLANTINO DI SERIE:
Volantino INOX (VLT1609003S)
- GUARNIZIONE DI SERIE:
Silicone
- FINITURA SUPERFICIALE DI SERIE:
Coperchio satinato/Telaio satinato

Temperatura: -20°C / + Vedi tabella
Su richiesta: spie visive max DN 125

- ACCESS:
300-400-450-500-600-700 mm
- MAX WORKING PRESSURE:
Check the data in the chart
- MATERIAL:
Stainless steel AISI 304(W.NR.1.4301) - AISI 316/L(W.NR.1.4404)
- STANDARD HANDWHEEL:
Stainless steel handwheel (VLT1609003S)
- STANDARD GASKET:
Silicone
- STANDARD FINISH:
Satin cover/Satin frame

Working temperature: -20°C / + Check the data in the chart

On request: sight glasses max DN 125



B	N°	TEMPERATURE MAX C°		
		50	100	150
		PRESSIONE MASSIMA DI ESERCIZIO IN BAR		
300	4	1,0	1,0	1,0
400	4	1,0	1,0	1,0
450	4	1,0	1,0	1,0
500	6	1,0	1,0	1,0
600	6	1,0	1,0	1,0
700	8	1,0	1,0	1,0

* A PAG. 164 VEDERE CARATTERISTICHE AGGIUNTIVE.
* FOR FURTHER DETAILS CHECK PAGE 164.

FOTO A SCOPO ILLUSTRATIVO - PHOTOS FOR ILLUSTRATIVE PURPOSES ONLY