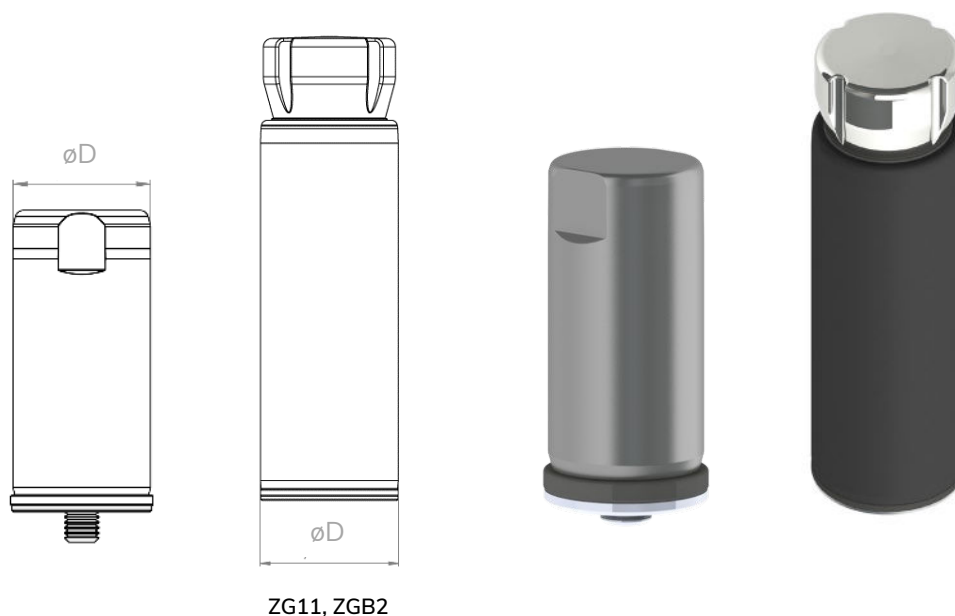


Zero-g

Male Post

Zero-g mixers are the base line of Metenovas mixer program. They are very versatile and covers a vast range of applications all through the process chain.

General
Mixing
Applications



ZG11, ZGB2

Measurements

Size	Article Number	ØD mm (in)	Suitable for
Male Post 18 mm	ZG00507-00827	18 (0.71)	ZG1, ZG2, ZG2P, HP2 & HS2
Male Post 32 mm	ZG00507-00199	32 (1.26)	ZG3, ZG5, ZG6, ZG7, ZG5P, ZG7P, HP5 & HS5
Male Post 40 mm	ZG00507-00329	40 (1.57)	ZG8, ZG9, ZG10, ZGB1, HP8 & HS8
Male Post Kit 48 mm	ZG00507-CO7788	48 (1.89)	ZG11, ZGB2

General Information

Product Contact Material	Silicon Carbide (SSiC); FDA CFR21 & USP class VI ZG11/ZGB2 Repeller Top – Alloy C-22/EN 2.4602
O-rings	EPDM; FDA CFR21 §177.2600 & USP class VI
Surface Roughness	Ra ≤ 0.38 µm (15 µin)
Operating Temperature	5°C - 150°C (41°F - 302°F)
pH Range	1 – 14 (SSiC)
Design Pressure	-1 – 7 barg (-14.5 – 101.5 psig)
Packing and Marking	Items are individually packed and for traceability purposes marked with item & id no.
Quality Assurance	Metenova Quality Assurance system ensures the quality and traceability at all stages of the process.

Options

Article Number	ZG00507-00827	ZG00507-00199	ZG00507-00329	ZG00507-CO7788
Product	Male Post 18 mm	Male Post 32 mm	Male Post 40 mm	Male Post Kit 48 mm
Option 1 Silicone Platinum Cured O-rings in lieu of EPDM	ZG00013-04170	ZG00013-04171	ZG00013-04172	*
Option 2 Viton O-rings in lieu of EPDM	ZG00013-03127	ZG00013-03128	ZG00013-03129	*
Option 3 Kalrez O-rings in lieu of EPDM	ZG00013-03133	ZG00013-03134	ZG00013-03135	*

* Available upon request

Tools specification datasheet

Lifting Tool	Tightening Tool
DS-022	DS-022

Metenova

A REPLIGEN COMPANY



The information in this publication is subject to change without prior notice. The information in this document is believed to be complete and accurate at the time of publication. Metenova assumes no responsibility for any errors that may appear in this document. Customer is responsible for determining Metenova's product will perform suitable in the intended application