

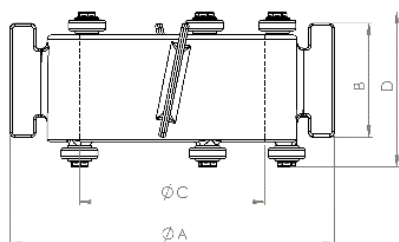
Truelev

Mix Head Mobile

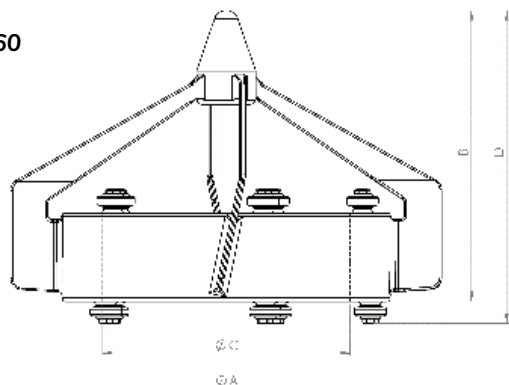
The revolutionary Truelev with its bearing-less fully levitating technology is perfect for shear sensitive products. This product is our high-end mixer that offers a unique control and measuring capability. This version of Truelev makes it possible to move and transport a vessel with the Mix Head mounted inside, without having the Drive Unit connected.

Low Shear Applications

ZF100



ZF160



Measurements

Mixer model	Article Number	ØA mm (in)	B mm (in)	ØC mm (in)	D mm (in)	Weight kg (lb)
ZF100	ZFM12509-A05471	140 (5.51)	51 (2.01)	80.1 (3.15)	67 (2.64)	1.6 (3.4)
ZF160	ZFM16509-A05476	220 (8.66)	147.8 (5.82)	125.1 (4.93)	158.8 (6.25)	3.5 (7.7)

General information

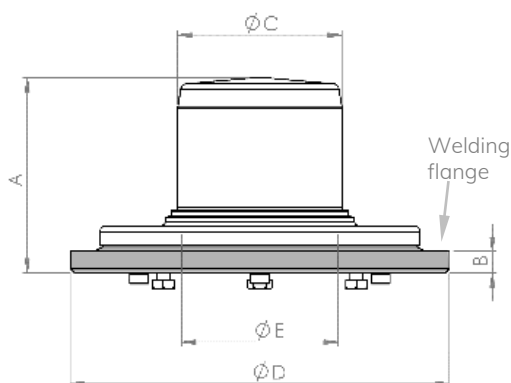
Material	Stainless Steel 316L /EN 1.4435 (Other materials are available upon request)
Inspection of Certificate	EN 10204 3.1
O-rings	EPDM; FDA CFR21 §177.2600 & USP class VI
Bumpers	Polyetheretherketone (PEEK); FDA CFR21 §177.2415 & USP class VI
Surface Roughness	Ra ≤ 0.38 µm (15 µin)
Surface Treatment	Electropolished. Non animal origin polishing compounds are used.
Operating Temp	5°C – 135°C (41°F – 275°F)
Operating Pressure	-1 – 7 barg (-14.5 – 101.5 psig)

Truelev

Tank Plate Flanged Mobile

The revolutionary Truelev with its bearing-less fully levitating technology is perfect for shear sensitive products. This product is our high-end mixer that offers a unique control and measuring capability. This version of Truelev makes it possible to move and transport a vessel with the Mix Head mounted inside, without having the Drive Unit connected.

Low Shear Applications



Measurements

Mixer model	Article Number	A mm (in)	B mm (in)	ØC mm (in)	ØD mm (in)	ØE mm (in)	Weight kg (lb)
ZF100	ZFM12506-A06054	91 (3.58)		76.4 (3.01)		72.8 (2.87)	1.7 (3.7)
Welding flange	ZG23601-A01709		10 (0.39)		176.5 (6.95)		1.2 (2.6)
ZF160	ZFM16506-A06042	140.5 (5.53)		121.6 (4.79)		117.8 (4.64)	8.3 (18.3)
Welding flange	ZG14601-A04234		16 (0.63)		263 (10.35)		3.5 (7.7)

General information

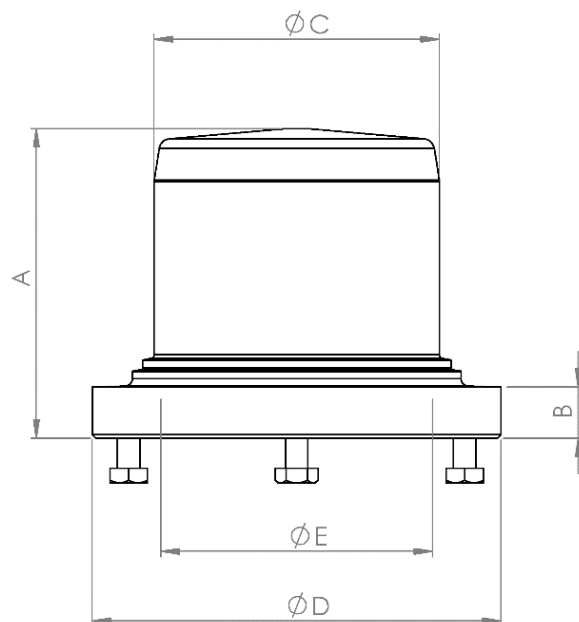
Material	Stainless Steel 316L /EN 1.4435 ASME SA-479 EN 10272 (PED) (Other materials are available upon request)
Inspection of Certificate	EN 10204 3.1
O-rings	EPDM; FDA CFR21 §177.2600 & USP class VI
Surface Roughness	Ra ≤ 0.38 µm (15 µin)
Surface Treatment	Electropolished. Non animal origin polishing compounds are used.
Operating Temp	5°C – 135°C (41°F – 275°F)
pH Range	1 – 14
Operating Pressure	-1 – 7 barg (-14.5 – 101.5 psig)
Design Pressure	-1 – 10 barg (-14.5 – 145 psig)

Truelev

Tank Plate Welded Mobile

The revolutionary Truelev with its bearing-less fully levitating technology is perfect for shear sensitive products. This product is our high-end mixer that offers a unique control and measuring capability. This version of Truelev makes it possible to move and transport a vessel with the Mix Head mounted inside, without having the Drive Unit connected.

Low Shear Applications



Measurements

Mixer model	Article Number	A mm (in)	B mm (in)	ØC mm (in)	ØD mm (in)	ØE mm (in)	Weight kg (lb)
ZF100	ZFM12506-A06053	83 (3.27)	14 (0.55)	76.4 (3.01)	109.5 (4.31)	72.8 (2.87)	1.1 (2.4)
ZF160	ZFM16506-A06041	132.5 (5.22)	40 (1.57)	121.6 (4.79)	168 (6.61)	117.8 (4.64)	4.9 (10.8)

General information

Material	Stainless Steel 316L /EN 1.4435 ASME SA-479 EN 10272 (PED) (Other materials are available upon request)
Inspection of Certificate	EN 10204 3.1
Surface Roughness	Ra ≤ 0.38 µm (15 µin)
Surface Treatment	Manually polished. Non animal origin polishing compounds are used.
Operating Temp	5°C – 135°C (41°F – 275°F)
pH Range	1 – 14
Design Pressure	-1 – 10 barg (-14.5 – 145 psig)